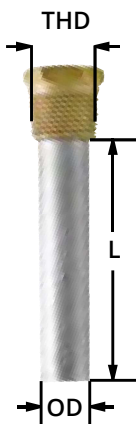


# ENGINE COOLING SYSTEM ANODES with plug



**Martyr®**  
ENGINE COOLING SYSTEM ANODES

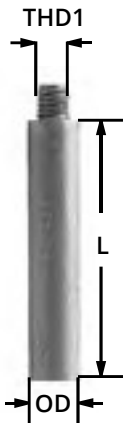
PID		LB	KG		L	OD	THD	UPC
Zn	CME00	0.042	0.019	mm	52	6.4	1/8 NPT	6 28309 10319 4
				in	2.06	1/4		
Zn	CME0	0.095	0.043	mm	45	9.5	1/4 NPT	6 28309 10318 7
				in	1¾	3/8		
Zn	CME1	0.165	0.075	mm	51	12.7	3/8 NPT	6 28309 10320 0
				in	2	1/2		
Zn	CME1D	0.154	0.070	mm	45	12.7	3/8 NPT	6 28309 10321 7
				in	1¾	1/2		
Zn	CME1E	0.143	0.065	mm	38	12.7	3/8 NPT	6 28309 10322 4
				in	1½	1/2		
Zn	CME1F	0.130	0.059	mm	32	12.7	3/8 NPT	6 28309 10323 1
				in	1¼	1/2		
Zn	CME1G	0.117	0.053	mm	25	12.7	3/8 NPT	6 28309 10324 8
				in	1	1/2		
Zn	CME1H	0.123	0.056	mm	51	9.5	3/8 NPT	6 28309 10325 5
				in	2	3/8		
Zn	CME2	0.279	0.127	mm	51	16	1/2 NPT	6 28309 10326 2
				in	2	5/8		
Zn	CME2S	0.220	0.100	mm	38.1	16	1/2 NPT	6 28309 10327 9
				in	1 1/2	5/8		
Zn	CME3	0.440	0.200	mm	51	19	3/4 NPT	6 28309 10328 6
				in	2	3/4		
Zn	CME3S	0.330	0.150	mm	19	19	3/4 NPT	6 28309 11326 1
				in	3/4	3/4		
Zn	CME4	0.609	0.277	mm	86	19	3/4 NPT	6 28309 10329 3
				in	3 3/8	3/4		
Zn	CME5	0.638	0.290	mm	92	19	3/4 NPT	6 28309 10330 9
				in	3 5/8	3/4		
Zn	CME2BSP	0.279	0.127	mm	51	16	1/2 BSPT	6 28309 12176 1
				in	2	5/8		
Zn	CME3BSP	0.453	0.206	mm	51	19	3/4 BSPT	6 28309 12177 8
				in	2	3/4		
Zn	CME0AZ	0.125	0.057	mm	63	9.5	1/4 NPT	6 28309 17459 0
				in	2 ½	3/8		
Zn	CME2BZ	0.356	0.162	mm	76	16	1/2 NPT	6 28309 17460 6
				in	3	5/8		

## ENGINE COOLING SYSTEM BRASS PLUGS replacement



**BRASS PLUG REPLACEMENT**

	PID	LB	KG	THD	THD1	UPC
Plug	CMEP00	0.016	0.007	1/8 NPT	1/4 UNC	6 28309 15844 6
Plug	CMEP0	0.050	0.023	1/4 NPT	5/16 UNC	6 28309 15843 9
Plug	CMEP1	0.060	0.027	3/8 NPT	3/8 UNC	6 28309 15846 0
Plug	CMEP2	0.120	0.054	1/2 NPT	7/16 UNC	6 28309 15847 7
Plug	CMEP3	0.250	0.113	3/4 NPT	1/2 UNC	6 28309 15849 1
Plug	CMEP2BSP	0.140	0.063	1/2 BSPT	7/16 UNC	6 28309 15848 4
Plug	CMEP3BSP	0.240	0.109	3/4 BSPT	1/2 UNC	6 28309 15850 7



**ANODE REPLACEMENT**

## ENGINE COOLING SYSTEM ANODES replacement

	PID	LB	KG		L	OD	THD1	UPC
Zn	CMEZ00	0.026	0.012	mm	52	6.4	1/4 UNC	6 28309 10338 5
				in	2.06	1/4		
Zn	CMEZ0	0.053	0.024	mm	45	9.5	5/16 UNC	6 28309 10337 8
				in	1 3/4	3/8		
Zn	CMEZ1	0.103	0.047	mm	51	12.7	3/8 UNC	6 28309 10339 2
				in	2	1/2		
Zn	CMEZ1D	0.095	0.043	mm	45	12.7	3/8 UNC	6 28309 10340 8
				in	1 3/4	1/2		
Zn	CMEZ1E	0.084	0.038	mm	38	12.7	3/8 UNC	6 28309 10341 5
				in	1 1/2	1/2		
Zn	CMEZ1F	0.070	0.032	mm	32	12.7	3/8 UNC	6 28309 10342 2
				in	1 1/4	1/2		
Zn	CMEZ1G	0.059	0.027	mm	25	9.5	3/8 UNC	6 28309 10343 9
				in	1	1/2		
Zn	CMEZ1H	0.062	0.028	mm	51	10	3/8 UNC	6 28309 10344 6
				in	2	3/8		
Zn	CMEZ2	0.165	0.075	mm	51	16	7/16 UNC	6 28309 10345 3
				in	2	5/8		
Zn	CMEZ2S	0.127	0.058	mm	38	16	7/16 UNC	6 28309 10346 0
				in	1 1/2	5/8		
Zn	CMEZ3	0.231	0.105	mm	51	19	1/2 UNC	6 28309 10347 7
				in	2	3/4		
Zn	CMEZ3S	0.101	0.046	mm	19	19	1/2 UNC	6 28309 12233 1
				in	3/4	3/4		
Zn	CMEZ4	0.381	0.173	mm	86	19	1/2 UNC	6 28309 10348 4
				in	3 3/8	3/4		
Zn	CMEZ5	0.409	0.186	mm	92	19	1/2 UNC	6 28309 10349 1
				in	3 5/8	3/4		
Zn	CMEZ0AZ	0.079	0.036	mm	63.5	9.52	5/16 UNC	6 28309 18243 4
				in	2 1/2	3/8		
Zn	CMEZ2BZ	0.238	0.108	mm	76.2	16	7/16 UNC	6 28309 18244 1
				in	3	5/8		

Choose  
Aluminum

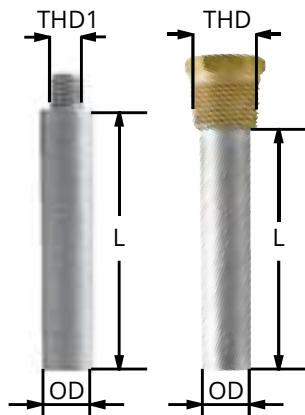
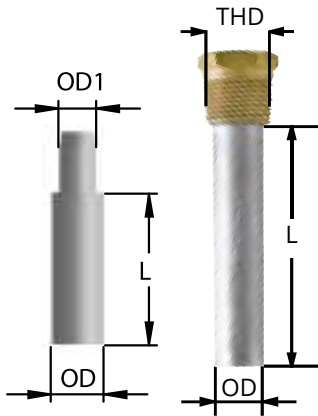
**Al premium**  
SALT AND BRACKISH WATER

Anodes for  
salt and brackish  
water and  
Magnesium

**Mg fresh**  
FRESH WATER ONLY  
for freshwater.

**Martyr**

**ENGINE COOLING SYSTEM ANODES**



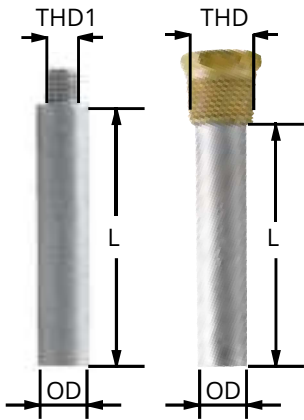
## ENGINE COOLING SYSTEM ANODES with plug/ anodes replacement/brass plug

ENGINE	PID	LB	KG		L	OD	THD	OD1	UPC
Zn	AIFO	CM8105277Z	0.059	0.027	mm in	26 1.02	13 0.51	-- Ø10 0.39	6 28309 23487 4
Zn	AIFO	CM8105277PZ	0.143	0.065	mm in	26 1.02	13 0.51	M18 x1.5 --	6 28309 23486 7
Plug	AIFO	CMEBP1018	0.083	0.038	mm in	-- --	M18 x1.5 --	Ø10 0.39	6 28309 23887 2
Zn	AIFO	CM8101772Z	0.119	0.054	mm in	20 0.79	20 0.79	-- Ø14 0.55	6 28309 23481 2
Zn	AIFO	CM8101772PZ	0.350	0.159	mm in	20 0.79	20 0.79	M28 x1.5 --	6 28309 23480 5
Plug	AIFO	CMEBP1428	0.229	0.104	mm in	-- --	M28 x1.5 --	Ø14 0.55	6 28309 23889 6
Zn	AIFO	CMAF920Z	0.021	0.0097	mm in	20 0.79	9 0.35	-- Ø4.5 0.18	6 28309 23543 7
Zn	AIFO	CMAF920PZ	0.079	0.036	mm in	20 0.79	9 0.35	M12 x1.5 --	6 28309 23542 0
Plug	AIFO	CMEBP4512	0.059	0.027	mm in	-- --	M12 x1.5 --	Ø4.5 0.18	6 28309 23892 6
Zn	AIFO	CM8109743Z	0.027	0.0124	mm in	18 0.71	10 0.39	-- Ø7 0.28	6 28309 23493 5
Zn	AIFO	CM8109743PZ	0.066	0.030	mm in	18 0.71	10 0.39	M12 x1.5 --	6 28309 23492 8
Plug	AIFO	CMEBP712	0.039	0.018	mm in	-- --	M12 x1.5 --	Ø7 0.28	6 28309 24428 6
Zn	AIFO	CMAF720Z	0.014	0.0064	mm in	20 0.79	7 0.28	-- Ø5 0.20	6 28309 23537 6
Zn	AIFO	CMEAF720PZ	0.046	0.021	mm in	20 0.79	7 0.28	M10 x1.25 --	6 28309 23621 2
Plug	AIFO	CMEBP510	0.033	0.015	mm in	-- --	M10 x1.25 --	Ø5 0.20	6 28309 24427 9

ENGINE	PID	LB	KG		L	OD	THD	THD1	UPC
Zn	BAUDOUIIN	CMEBD20Z	0.225	0.102	mm in	45 1.77	20 0.79	-- M8 x1.25	6 28309 21477 7
Zn	BAUDOUIIN	CMEBD20PZ	0.401	0.182	mm in	45 1.77	20 0.79	M24 x1.5 --	6 28309 21476 0
Plug	BAUDOUIIN	CMEBP824	0.176	0.080	mm in	-- --	M24 x1.5 --	M8 x1.25	6 28309 23253 5
Zn	BUKH	CMB00E0450	0.066	0.030	mm in	36 1.42	12 0.47	-- M5 x0.8	6 28309 23561 1

# ENGINE COOLING SYSTEM ANODES

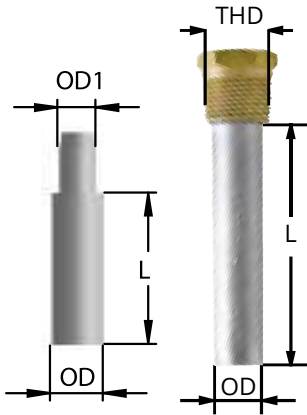
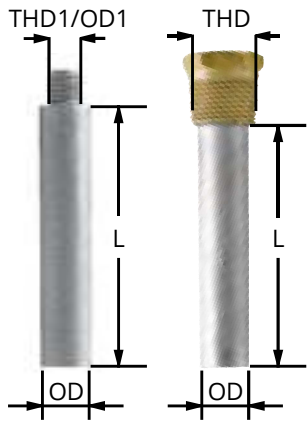
with plug/ anodes replacement/brass plug



ENGINE	PID	LB	KG		L	OD	THD	THD1	UPC	
Zn	CATERPILLAR	CM8515850Z	0.430	0.195	mm	85.85	19.05	--	5/8 BSW	6 28309 12174 7
					in	3.38	0.75			
Zn	CATERPILLAR	CM6L2288Z	0.209	0.095	mm	63.5	15.75	--	3/8 BSW	6 28309 12179 2
					in	2.50	0.62			
Zn	CATERPILLAR	CM6L2288PZ (2284 SERIES)	0.343	0.155	mm	63.5	15.75	1/2 NPT	--	6 28309 24110 0
					in	2.50	0.62			
Zn	CATERPILLAR	CM6L2289Z	0.242	0.110	mm	76	16	--	3/8 BSW	6 28309 23454 6
					in	2.99	0.63			
Zn	CATERPILLAR	CM6L2289PZ (2289 SERIES)	0.372	0.169	mm	76	16	1/2 NPT	--	6 28309 23453 9
					in	2.99	0.63			
Plug	CATERPILLAR	CMEBP3812	0.134	0.060	mm	--	--	1/2 NPT	3/8 BSW	6 28309 24425 5
					in	--	--			
Zn	CATERPILLAR	CM6L2283Z	0.069	0.031	mm	58.42	9.39	--	1/4 BSW	6 28309 12167 9
					in	2.30	0.37			
Zn	CATERPILLAR	CM6L2283PZ	0.119	0.054	mm	58.42	9.39	1/4 NPT	--	6 28309 24109 4
					in	2.30	0.37			
Zn	CATERPILLAR	CM6L3104Z	0.048	0.022	mm	38	10	--	1/4 UNC	6 28309 23457 7
					in	1.50	0.39			
Zn	CATERPILLAR	CM6L3104PZ	0.097	0.044	mm	38	10	1/4 NPT	--	6 28309 27271 5
					in	1.50	0.39			
Plug	CATERPILLAR	CMEBP1414	0.050	0.022	mm	--	--	1/4 NPT	1/4 BSW	6 28309 24424 8
					in	--	--			
Zn	CATERPILLAR	CM6L2016Z	0.159	0.072	mm	20.00	22.00	--	5/8 UNF	6 28309 12339 0
					in	0.80	0.87			
Zn	CATERPILLAR	CM6L2016PZ	0.369	0.167	mm	20.00	22.00	3/4 NPT	--	6 28309 24108 7
					in	0.80	0.87			
Plug	CATERPILLAR	CMEBP5834	0.210	0.095	mm	--	--	3/4 NPT	5/8 UNF	6 28309 23895 7
					in	--	--			
Zn	CATERPILLAR	CM6L2285Z	0.732	0.332	mm	54	32	--	3/4 BSW	6 28309 23448 5
					in	2.13	1.26			
Zn	CATERPILLAR	CM6L2284Z (2284 SERIES)	0.086	0.039	mm	33	14	--	5/16 UNC	6 28309 23445 4
					in	1.30	0.55			
Zn	CATERPILLAR	CM6L2280GZ	0.083	0.038	mm	38	12	--	7/16 UNF	6 28309 24097 4
					in	1.50	0.47			
Zn	CATERPILLAR	CM6L2280GPZ	0.154	0.070	mm	38	12	3/8 BSPT	--	6 28309 24096 7
					in	1.50	0.47			
Plug	CATERPILLAR	CMEBP71638	0.068	0.031	mm	--	--	3/8 BSPT	7/16 UNF	6 28309 24429 3
					in	--	--			
Zn	CATERPILLAR	CMCA1230Z	0.061	0.028	mm	30	12	--	3/8 BSW	6 28309 23594 9
					in	1.18	0.47			
Zn	CATERPILLAR	CM6L2280PZ	0.093	0.042	mm	41	12	--	3/8 BSW	6 28309 23442 3
					in	1.61	0.47			

# ENGINE COOLING SYSTEM ANODES

with plug/ anodes replacement/brass plug



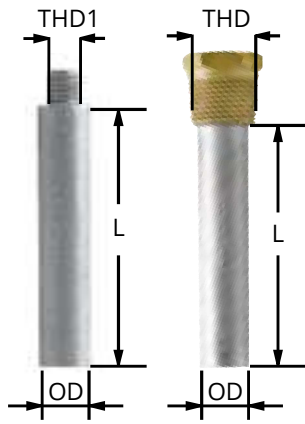
ENGINE	PID	LB	KG		L	OD	THD	THD1 / OD1	UPC	
Zn	CUMMINS	CMCU1650Z	0.169	0.077	mm in	50 1.97	16 0.63	--	Ø12 0.47	6 28309 23615 1
Zn	CUMMINS	CMCU1650PZ	0.279	0.127	mm in	50 1.97	16 0.63	1/2 NPT	--	6 28309 23614 4
Plug	CUMMINS	CMEBP1212	0.110	0.050	mm in	--	--	1/2 NPT	Ø12 0.47	6 28309 23888 9
Zn	CUMMINS	CMECU16Z	0.167	0.076	mm in	50 1.97	16 0.63	--	7/16 UNF	6 28309 21483 8
Zn	CUMMINS	CMECU16PZ	0.277	0.126	mm in	50 1.97	16 0.63	1/2 NPT	--	6 28309 21482 1
Plug	CUMMINS	CMEBP71612	0.110	0.050	mm in	--	--	1/2 NPT	7/16 UNF	6 28309 23252 8
Zn	CUMMINS	CMCU1020Z	0.026	0.012	mm in	20 0.79	10 0.39	--	M6	6 28309 23606 9
Zn	CUMMINS	CMCU1020PZ	0.094	0.043	mm in	20 0.79	10 0.39	3/8 GAS	--	6 28309 23605 2
Plug	CUMMINS	CMEBP638	0.068	0.031	mm in	--	--	3/8 GAS	M6	6 28309 23896 4
Zn	CUMMINS	CMCU1865Z	0.295	0.134	mm in	65 2.56	18 0.71	--	M16X 1.5	6 28309 23618 2
Zn	CUMMINS	CMCU1645Z	0.147	0.067	mm in	45 1.77	16 0.63	--	3/8 BSW	6 28309 23609 0

ENGINE	PID	LB	KG		L	OD	THD	OD1	UPC	
Zn	FORD	CMFO1018Z	0.028	0.013	mm in	18 0.71	10 0.39	--	Ø8.5 0.33	6 28309 23663 2
Zn	FORD	CMFO1018PZ	0.061	0.028	mm in	18 0.71	10 0.39	1/4 NPT	--	6 28309 23662 5
Plug	FORD	CMEBP8514	0.035	0.016	mm in	--	--	1/4 NPT	Ø8.5 0.33	6 28309 23900 8
Zn	FORD	CMFO1332Z	0.072	0.033	mm in	32 1.26	13 0.51	--	Ø9 0.35	6 28309 23666 3

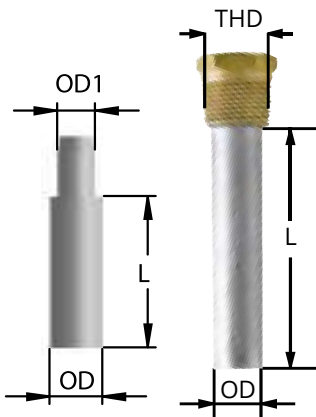
ENGINE	PID	LB	KG		L	OD	THD	THD1	UPC	
Zn	GENERAL MOTORS	CM8517479Z	0.136	0.062	mm in	40 1.57	16 0.63	--	7/16 BSW	6 28309 23513 0
Zn	GENERAL MOTORS	CM8517479PZ	0.264	0.120	mm in	40 1.57	16 0.63	1/2 NPT	--	6 28309 23512 3
Plug	GENERAL MOTORS	CMEBP716B12	0.128	0.058	mm in	--	--	1/2 NPT	7/16 BSW	Please contact us
Zn	GENERAL MOTORS	CMEZ2	0.165	0.075	mm in	51 2	16 0.63	--	7/16 UNC	6 28309 10345 3
Zn	GENERAL MOTORS	CM8517480BSZ	0.280	0.127	mm in	51 2	16 0.63	1/2 BSPT	--	6 28309 22974 0
Plug	GENERAL MOTORS	CMEBP71612L	0.110	0.049	mm in	--	--	1/2 BSPT	7/16 UNC	Please contact us
Zn	GENERAL MOTORS	CMEZ2S	0.127	0.058	mm in	38 1.50	16 0.63	--	7/16 UNC	6 28309 10346 0
Zn	GENERAL MOTORS	CM8517479BSZ	0.220	0.099	mm in	38 1.50	16 0.63	1/2 NPT	--	6 28309 22973 3
Plug	GENERAL MOTORS	CMEBP71612	0.090	0.041	mm in	--	--	1/2 NPT	7/16 UNF	6 28309 23252 8
Zn	GENERAL MOTORS	CMEZ4SL	0.440	0.199	mm in	89 3.50	19 0.75	--	5/8 UNC	6 28309 12116 7
Zn	GENERAL MOTORS	CM8515842BSZ	0.660	0.299	mm in	89 3.50	19 0.75	3/4 BSPT	--	6 28309 22972 6
Plug	GENERAL MOTORS	CMEP5834	0.220	0.099	mm in	--	--	3/4 BSPT	5/8 UNC	6 28309 22979 5
Zn	GENERAL MOTORS	CM8515850Z	0.430	0.195	mm in	86 3.38	19 0.75	--	5/8 BSW	6 28309 12174 7
Zn	GENERAL MOTORS	CM8515851Z	0.386	0.175	mm in	80 3.15	20 0.79	--	5/8 BSW	6 28309 23507 9
Zn	GENERAL MOTORS	CM8515842Z	0.280	0.127	mm in	54 2.12	19 0.75	--	5/8 BSW	6 28309 12175 4
Zn	GENERAL MOTORS	CM8925832Z	0.077	0.035	mm in	40 1.57	12 0.47	--	3/8 BSW	6 28309 23522 2

# ENGINE COOLING SYSTEM ANODES

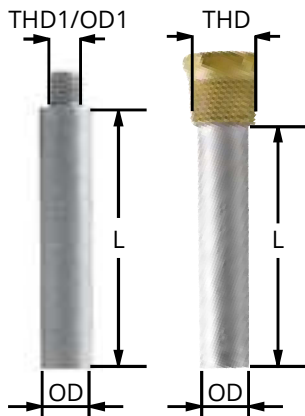
with plug/ anodes replacement/brass plug



ENGINE	PID		L	OD	THD	THD1	UPC	
Zn	ISOTTA FRASCHINI	CMIF2034Z	mm	34	20	--	M18	6 28309 23672 4
			in	1.34	0.79		x1.5	
Zn	ISOTTA FRASCHINI	CMIF2034PZ	mm	34	20	M24	--	6 28309 23671 7
			in	1.34	0.79	x1.5		



ENGINE	PID	LB	KG		L	OD	THD	OD1	UPC	
Zn	NANNI	CM970494635Z	0.031	0.014	mm	20	10	--	Ø8	6 28309 23531 4
					in	0.79	0.39			
Zn	NANNI	CM970494635PZ	0.088	0.040	mm	20	10	M16	--	6 28309 23530 7
					in	0.79	0.39	x1.5		
Plug	NANNI	CMEBP816	0.057	0.026	mm	--	--	M16	Ø8	6 28309 23898 8
					in			x1.5		
Zn	NANNI	CMNN2525Z	0.247	0.112	mm	25	25	--	Ø22	6 28309 23758 5
					in	0.98	0.98			
Zn	NANNI	CMNN2525PZ	0.483	0.219	mm	25	25	M30	--	6 28309 23757 8
					in	0.98	0.98	x1.5		
Plug	NANNI	CMEBP2230	0.236	0.107	mm	--	--	M30	Ø22	6 28309 23891 9
					in			x1.5		



ENGINE	PID	LB	KG		L	OD	THD	THD1/OD1	UPC	
Zn	ONAN	CMON1030Z	0.039	0.018	mm	30	10	--	Ø8	6 28309 23761 5
					in	1.18	0.39			
Zn	ONAN	CM1301341PZ	0.099	0.045	mm	30	10	3/8	--	6 28309 23330 3
					in	1.18	0.39	NPT		
Plug	ONAN	CMEBPD838	0.059	0.027	mm	--	--	3/8	Ø8	6 28309 27107 7
					in			NPT		
Zn	ONAN	CMON1131Z	0.050	0.023	mm	31	11	--	M8	6 28309 23767 7
					in	1.22	0.43			
Zn	ONAN	CMON1131PZ	0.1146	0.052	mm	31	11	3/8	--	6 28309 23766 0
					in	1.22	0.43	NPT		
Plug	ONAN	CMEBP838	0.064	0.029	mm	--	--	3/8	M8	6 28309 23899 5
					in			NPT		
Zn	ONAN	CMON1326Z	0.064	0.029	mm	26	13	--	Ø9.5	6 28309 23770 7
					in	1.02	0.51			

Choose  
Aluminum

**Al premium**  
SALT AND BRACKISH WATER

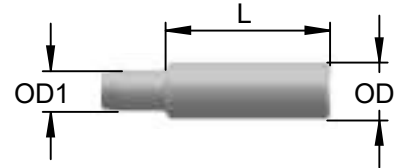
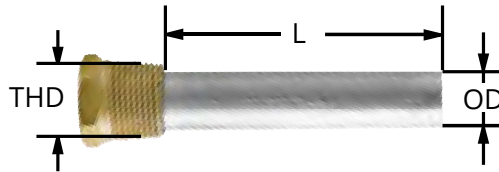
Anodes for  
salt and brackish  
water and  
Magnesium

**Mg fresh**  
FRESH WATER ONLY

for freshwater.

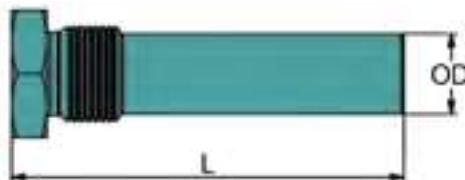
## ENGINE COOLING SYSTEM ANODES with plug/ anodes replacement/brass plug

ENGINE	PID	LB	KG		L	OD	THD	OD1	UPC	
Zn	RENAULT	CMERE14Z	0.075	0.034	mm	25	14	--	Ø12	6 28309 21142 4
					in	0.94	0.55		0.47	
Zn	RENAULT	CMERE14PZ	0.158	0.072	mm	25	14	M18 x1.5	--	6 28309 21141 7
					in	0.94	0.55			
Plug	RENAULT	CMEREBP18	0.083	0.038	mm	--	--	M18 x1.5	Ø12	6 28309 23254 2
					in	--	--		0.47	



ENGINE	PID	LB	KG		L	L1	OD	OD1	UPC	
Zn	SEASALL	CMHS1760Z	0.231	0.105	mm	70	10	17	14	6 28309 25565 7
					in	2.75	0.39	0.67	0.55	

**ANODE ONLY**



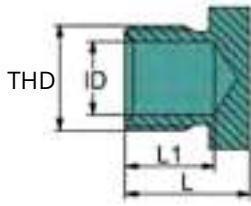
ENGINE	PID	LB	KG		L	OD	UPC	
Zn	SEASALL	CMHS1760PZ	0.349	0.159	mm	83	17	6 28309 25564 0
					in	3.27	0.67	

**W/PLUG**

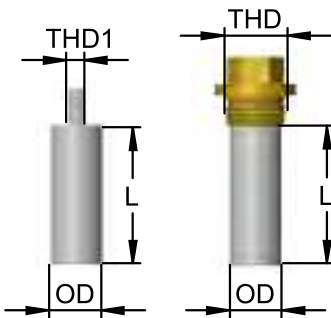
**Martyr®**  
ENGINE COOLING SYSTEM ANODES

# ENGINE COOLING SYSTEM ANODES

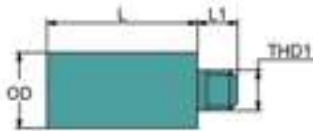
with plug/ anodes replacement/brass plug



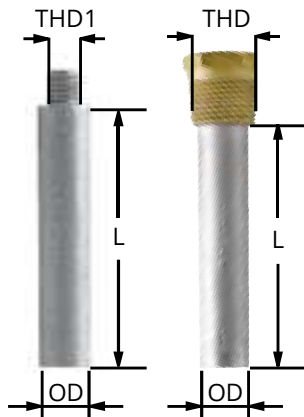
ENGINE		PID	LB	KG		ID	THD	L	L1	UPC
Plug	SEASALL	CMEPHS1420	0.118	0.054	mm	14	M20	23	16.5	6 28309 25566 4
					in	0.55	X1.5	0.90	0.65	



ENGINE	PID	LB	KG		L	OD	THD	THD1	UPC	
Zn	SCANIA	CMSC1763Z	0.225	0.102	mm	63	17	--	M6	6 28309 25987 7
					in	2.48	0.67			
Zn	SCANIA	CMSC1663PZ	0.359	0.163	mm	63	17	1/2 BSPP	--	6 28309 25986 0
					in	2.48	0.67			
Zn	SCANIA	CM1331818Z	0.172	0.078	mm	46	17	--	M6	6 28309 25971 6
					in	1.81	0.67			
Zn	SCANIA	CM1331818PZ	0.306	0.139	mm	46	17	1/2 BSPP	--	6 28309 25970 9
					in	1.81	0.67			
Plug	SCANIA	CMEBP612	0.134	0.061	mm	--	--	1/2 BSPP	M6	6 28309 26039 2
					in	--	--			
Zn	SCANIA	CMSC1645Z	0.152	0.069	mm	45	16	--	M12 x1.0	6 28309 23812 4
					in	1.77	0.63			



ENGINE	PID	LB	KG		L	L1	OD	THD1	UPC	
Zn	STEYR	STE217841Z	0.084	0.038	mm	30	8	15	M8	6 28309 22975 7
					in	1.18	0.31	0.59		



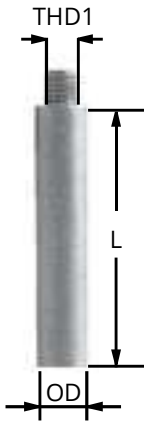
ENGINE	PID	LB	KG		L	OD	THD	THD1	UPC	
Zn	VM	CMVM40Z	0.097	0.044	mm	40	14	--	M8	6 28309 21514 9
					in	1.57	0.55			
Zn	VM	CMVM40PZ	0.183	0.083	mm	40	14	M18 x1.5	--	6 28309 21513 2
					in	1.57	0.55			
Zn	VM	CMVM20Z	0.053	0.024	mm	20	14	--	M8	6 28309 21508 8
					in	0.79	0.55			
Zn	VM	CMVM20PZ	0.139	0.063	mm	20	14	M18 x1.5	--	6 28309 21507 1
					in	0.79	0.55			
Plug	VM	CMVMBP8	0.086	0.039	mm	--	--	M18 x1.5	M8	6 28309 23261 0
					in	--	--			
Zn	VM	CMVMM10Z	0.055	0.025	mm	20	14	--	M10	6 28309 21520 0
					in	0.79	0.55			
Zn	VM	CMVMM10PZ	0.136	0.062	mm	20	14	M18 x1.5	--	6 28309 21519 4
					in	0.79	0.55			
Plug	VM	CMVMBP10	0.081	0.037	mm	--	--	M18 x1.5	M10	6 28309 23260 3
					in	--	--			

ENGINE COOLING SYSTEM ANODES



# ENGINE COOLING SYSTEM ANODES

with plug/ anodes replacement/brass plug



ENGINE		PID	LB	KG		L	OD	THD1	UPC
Zn	VOLVO PENTA	CM8517479Z	0.136	0.062	mm	40	16	7/16	6 28309 23513 0
					in	1.57	0.63	BSW	
Al	VOLVO PENTA	CM838929A	0.025	0.011	mm	30	17	7/16	6 28309 12328 4
Mg	VOLVO PENTA	CM838929M	0.090	0.041				UNC	6 28309 19298 3
Zn	VOLVO PENTA	CM838929Z	0.040	0.018	in	1.18	0.67	7/16	6 28309 10128 2
Zn	VOLVO PENTA	CMEZ2S	0.128	0.058	mm	38	16	7/16	6 28309 10346 0
					in	1.50	0.63	UNC	
Al	VOLVO PENTA	CM823661A	0.145	0.066	mm	43	26	3/8	6 28309 12327 7
Mg	VOLVO PENTA	CM823661M	0.106	0.048				UNC	6 28309 12374 1
Zn	VOLVO PENTA	CM823661Z	0.308	0.140	in	1.69	1.02	3/8	6 28309 10118 3
Zn	VOLVO PENTA	CMVP16520Z	0.070	0.032	mm	20	16.5	5/16	6 28309 23815 5
					in	0.79	0.65	BSW	



# CERTIFICATE OF REGISTRATION

This is to certify that

## Canada Metal (Pacific) Ltd.

7733 Progress Way, Delta, British Columbia V4G1A3 Canada

operates a

## Quality Management System

which complies with the requirements of

## ISO 9001:2015

for the following scope of certification

**The registration covers the Quality Management System for nonferrous alloys / casting fabrication, general CNC / manual machining. Design, assembly and distribution of marine and construction related products.**

Certificate No.: CERT-0115123  
File No.: 802196  
Issue Date: March 1, 2018

Original Certification Date: June 14, 1999  
Certification Effective Date: March 1, 2018  
Certificate Expiry Date: February 28, 2021

Nicole Grantham  
General Manager SAI Global Certification Services



ISO 9001



Registered by:  
QMI-SAI Canada Limited (SAI Global), 20 Carlson Court, Suite 200, Toronto, Ontario M9W 7K6 Canada. This registration is subject to the SAI Global Terms and Conditions for Certification. While all due care and skill was exercised in carrying out this assessment, SAI Global accepts responsibility only for proven negligence. This certificate remains the property of SAI Global and must be returned to them upon request.  
To verify that this certificate is current, please refer to the SAI Global On-Line Certification Register: [www.qmi-saiglobal.com/qmi\\_companies/](http://www.qmi-saiglobal.com/qmi_companies/)

