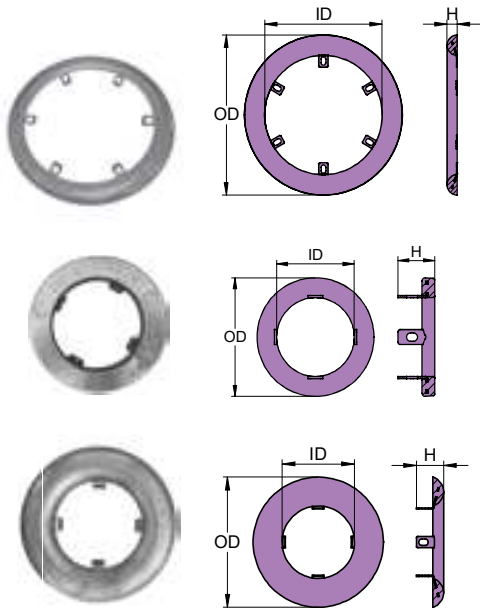
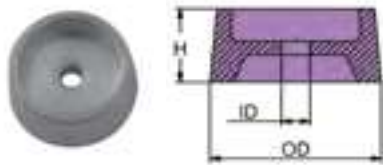


KAMEWA™ ANODES



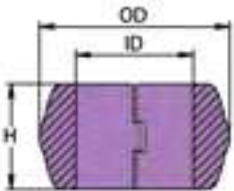
	PID	LB	KG		OD	ID	H	UPC
Al	CMKA614A	6.19	2.81	mm	385	287	25	6 28309 21172 1
Mg	CMKA614M	4.01	1.82					6 28309 23683 0
Zn	CMKA614Z	16	7.3					6 28309 23684 7
Al	CMKA615A	1.23	0.56	in	15.2	11.3	1	6 28309 23685 4
Mg	CMKA615M	0.86	0.39					6 28309 23686 1
Zn	CMKA615Z	2.86	1.3					6 28309 23687 8
Al	CMKA616A	2.456	1.114	mm	226	126	47	6 28309 23688 5
Mg	CMKA616M	1.609	0.730					6 28309 23689 2
Zn	CMKA616Z	6.170	2.799					6 28309 23690 8

JET FF 375S - CLASS V2000



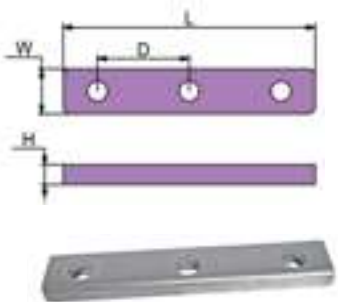
	PID	LB	KG		OD	ID	H	UPC
Al	CMKA617A	0.333	0.151	mm	70	13	27	6 28309 23691 5
Mg	CMKA617M	0.211	0.096					6 28309 23692 2
Zn	CMKA617Z	0.862	0.391					6 28309 23693 9
Al	CMKA730A	0.712	0.323	in	2.75	0.51	1.1	6 28309 23709 7
Mg	CMKA730M	0.449	0.204					6 28309 23710 3
Zn	CMKA730Z	1.856	0.842					6 28309 23711 0

JET FF 375S - CLASS V2000



	PID	LB	KG		OD	ID	H	UPC
Al	CMKA618A	0.62	0.28	mm	81	50	45	6 28309 23694 6
Mg	CMKA618M	0.39	0.18					6 28309 23695 3
Zn	CMKA618Z	1.59	0.72					6 28309 22086 0
Al	CMKA619A	0.81	0.37	in	3.19	1.97	1.77	6 28309 23697 7
Mg	CMKA619M	0.53	0.24					6 28309 23698 4
Zn	CMKA619Z	2.09	0.95					6 28309 23699 1

A SERIES

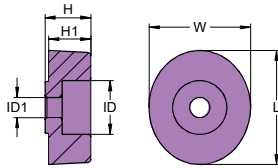


	PID	LB	KG		L	W	D	H	UPC
Al	CMKA620A	4.91	2.23	mm	385	68	140	30	6 28309 22929 0
Mg	CMKA620M	3.73	1.69						6 28309 22960 3
Zn	CMKA620Z	10.14	4.60						6 28309 22927 6
Al	CMKA621A	10.54	4.78	in	23.6	3.9	8.6	1.45	6 28309 23700 4
Mg	CMKA621M	7.05	3.2						6 28309 23701 1
Zn	CMKA621Z	25.794	11.700						6 28309 23702 8

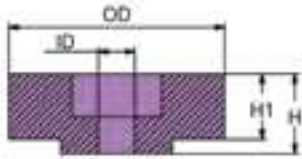
KAMEWA TYPE

Martyr®
KAMEWA™ ANODES

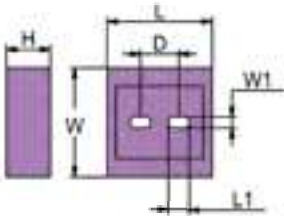
KAMEWA™ ANODES



	PID	LB	KG		L	W	H	H1	ID	ID1	UPC
Al	CMKA622A	0.372	0.169	mm	68	60	27	25	32	12	6 28309 23703 5
Mg	CMKA622M	0.236	0.107		6 28309 23704 2						
Zn	CMKA622Z	0.970	0.440	in	2.7	2.4	1.1	1	1.3	0.48	6 28309 22087 7

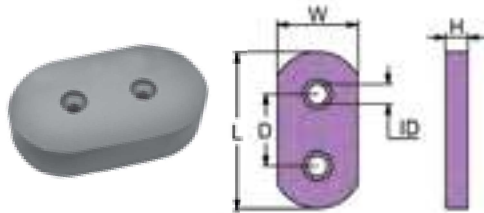


	PID	LB	KG		OD	ID	H	H1	UPC
Al	CMKA623A	0.372	0.278	mm	77	12	25	23	6 28309 23706 6
Mg	CMKA623M	0.236	0.176		6 28309 23707 3				
Zn	CMKA623Z	0.970	0.725	in	3	0.48	0.98	0.9	6 28309 22088 4



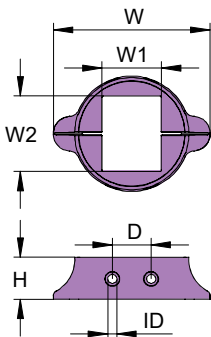
	PID	LB	KG		L	L1	W	W1	D	H	UPC
Al	CMKA624A	0.39	0.176	mm	60	12	60	7	18	25	6 28309 23067 8
Mg	CMKA624M	0.24	0.112		6 28309 23083 8						
Zn	CMKA624Z	1	0.46	in	2.4	0.47	2.4	0.28	0.71	1	6 28309 23051 7

JET FF 375S - CLASS v2000



	PID	LB	KG		L	W	H	D	ID	UPC
Al	SGPL573A	2.220	1.007	mm	175	90	25	80	13	6 28309 18342 4
Mg	SGPL573M	1.547	0.702		6 28309 18393 6					
Zn	SGPL573Z	5.081	2.305	in	6.9	3.54	1	3.15	0.51	6 28309 18292 2

LOMBARDINI™ ANODES



	PID	LB	KG		H	W	W1	W2	D	ID	UPC
Al	CM9135033A	0.524	0.238	mm	33	121	46	59	30	7	6 28309 21162 2
Mg	CM9135033M	0.330	0.150		6 28309 21184 4						
Zn	CM9135033Z	1.366	0.620	in	1.30	4.76	1.81	2.32	1.18	0.27	6 28309 21138 7
Al	CM9135034A	0.974	0.442	mm	33	152	46	59	30	7	6 28309 21163 9
Mg	CM9135034M	0.617	0.280		6 28309 21186 8						
Zn	CM9135034Z	2.542	1.153	in	1.30	5.98	1.81	2.32	1.18	0.27	6 28309 21139 4